

The Dacor logo is rendered in a bold, italicized, sans-serif font with a metallic, 3D effect. The letters are dark with a lighter, reflective highlight on the top and left sides, giving it a sleek, modern appearance. A registered trademark symbol (®) is located at the end of the word.

dacor

The Life of the Kitchen.®

A faded background image of a kitchen featuring a Dacor MW 27/30 range. The range is a white, freestanding unit with a gas cooktop and an oven below. On the cooktop, there is a white bowl and a large silver pot. The kitchen counter is light-colored, and various kitchen items like a glass and a bottle are visible on the left side.

PARTS CATALOG

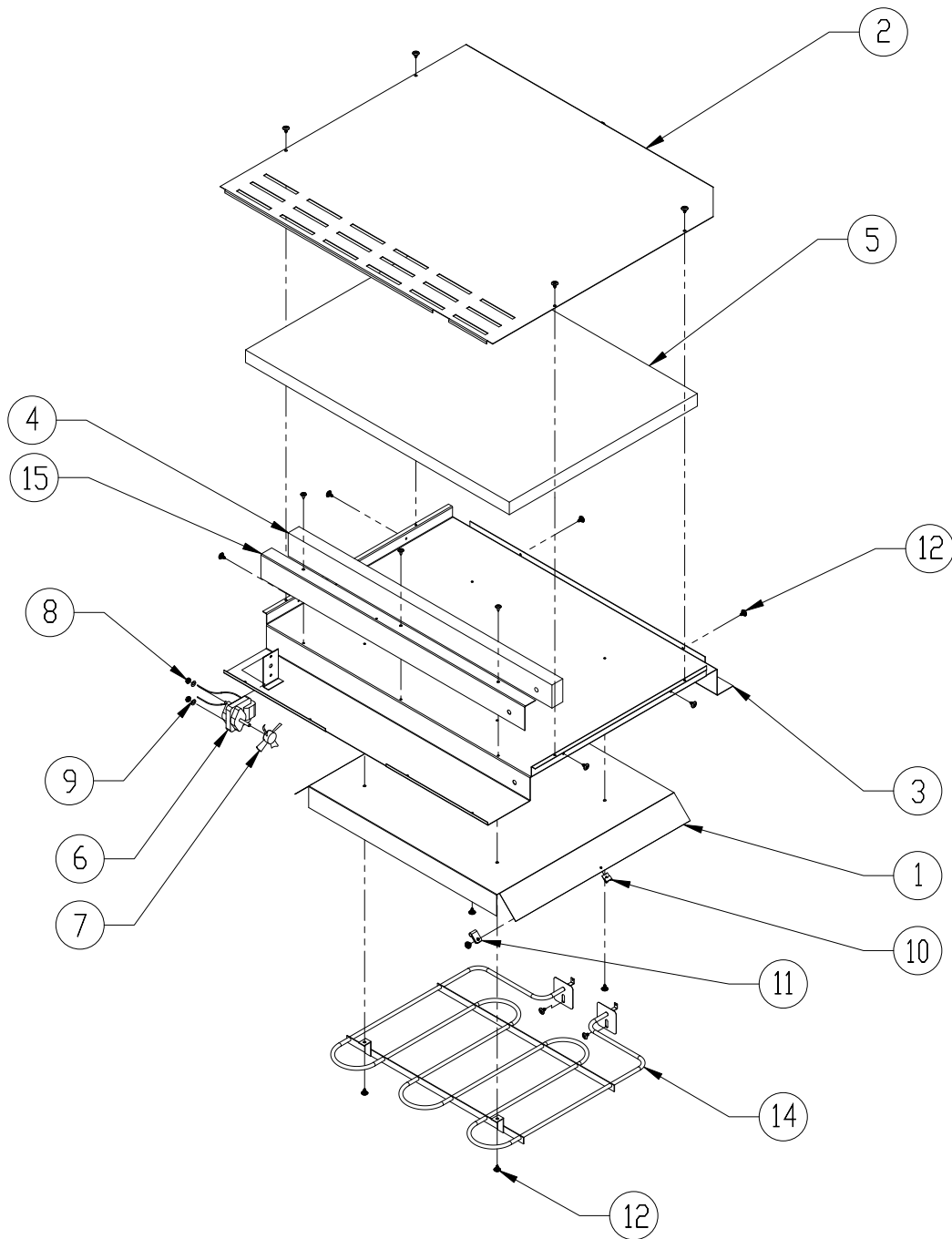
MW 27/30

Page #	Sheet Title
1	Top Can Assembly
2	Cabinet Assembly
3	Front Frame Assembly
4	Drawer Assembly

Revised 03-18-2009

Technical Service | 1440 Bridgegate Drive | Diamond Bar, CA 91765 | PH 800-353-2267 | FAX 909-612-1702

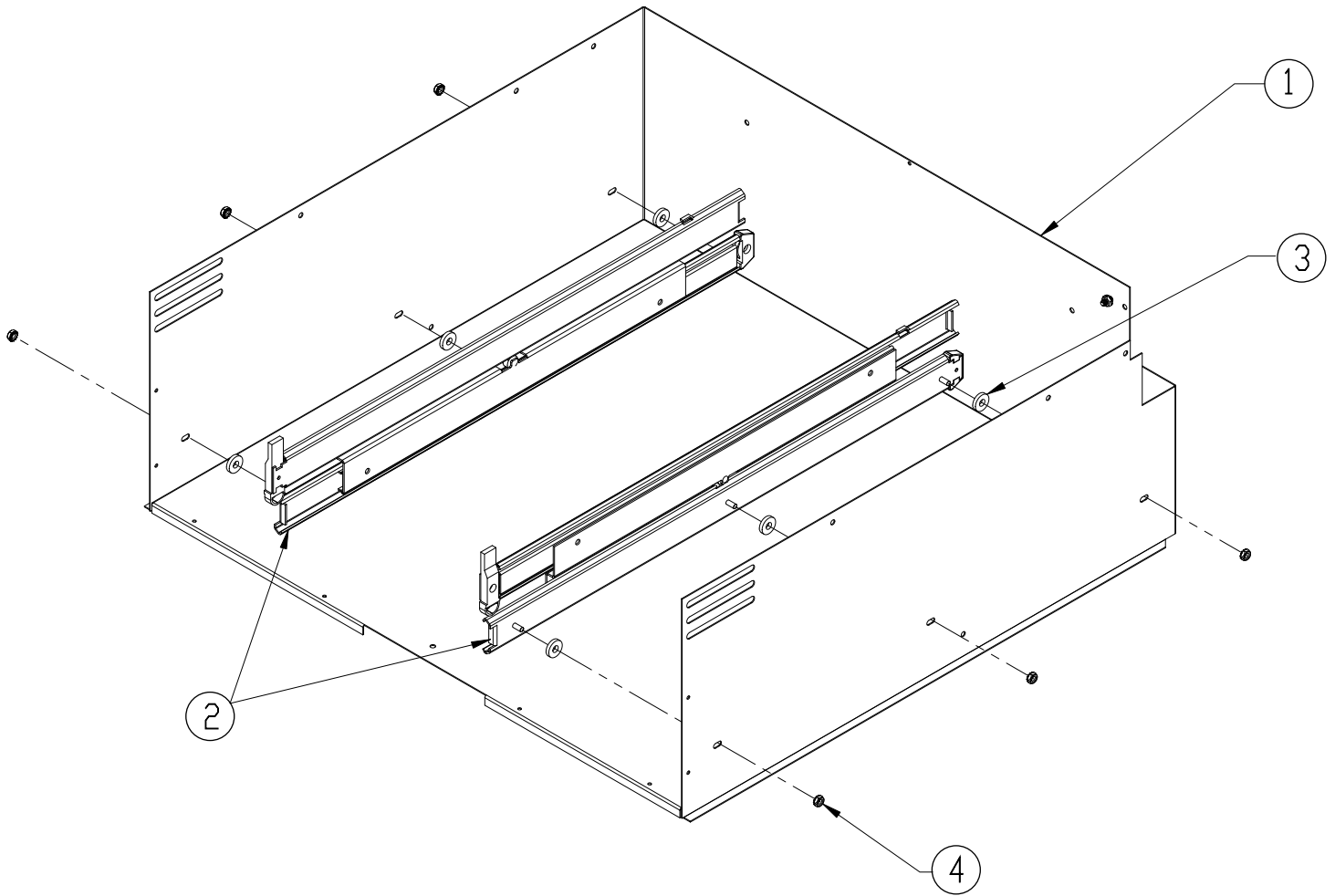
Top Can Assembly 27/30"



Ref #	Part #	Description
1	26668	Reflector
2	26671	Top Cover
3	27222	Asy, Top Can
4	82627	Control Insulation
5	82626	Top Insulation
6	92324	Motor, W/O, 120 VAC
7	92325	Fan Blade

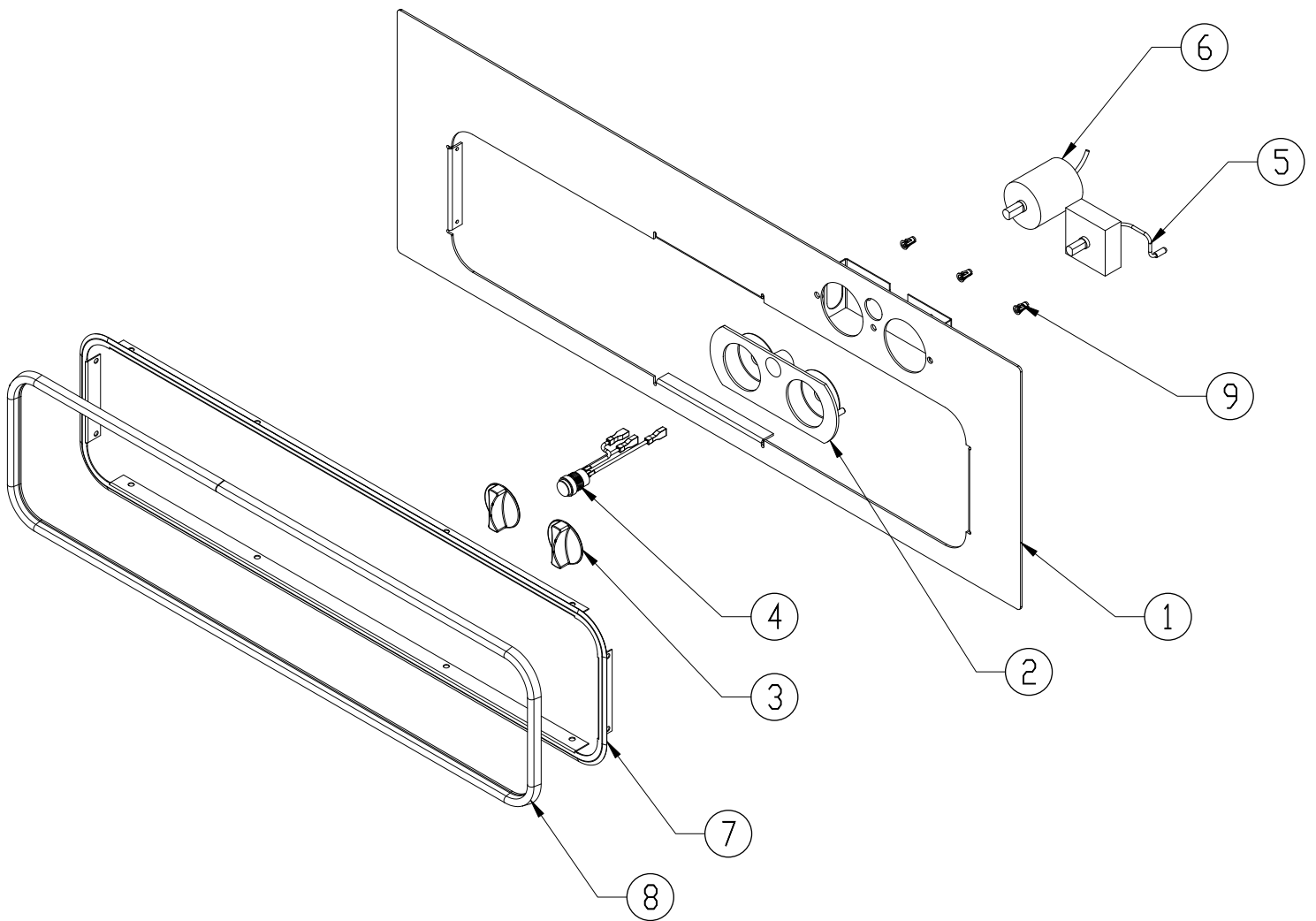
Ref #	Part #	Description
8	83308	Nut, Keps, #6-32
9	83272	Washer, STL, Zinc
10	83436	Clip "J" Type
11	83267	Clip, Sensor Bulb
12	83534	Screw, WFR HD, #8 x 3/8"
13	83402	Screw, Phil HD, #8 x 3/8"
14	82351	Heating Element
15	26673	Insulation Cover

Cabinet Assembly 27/30"



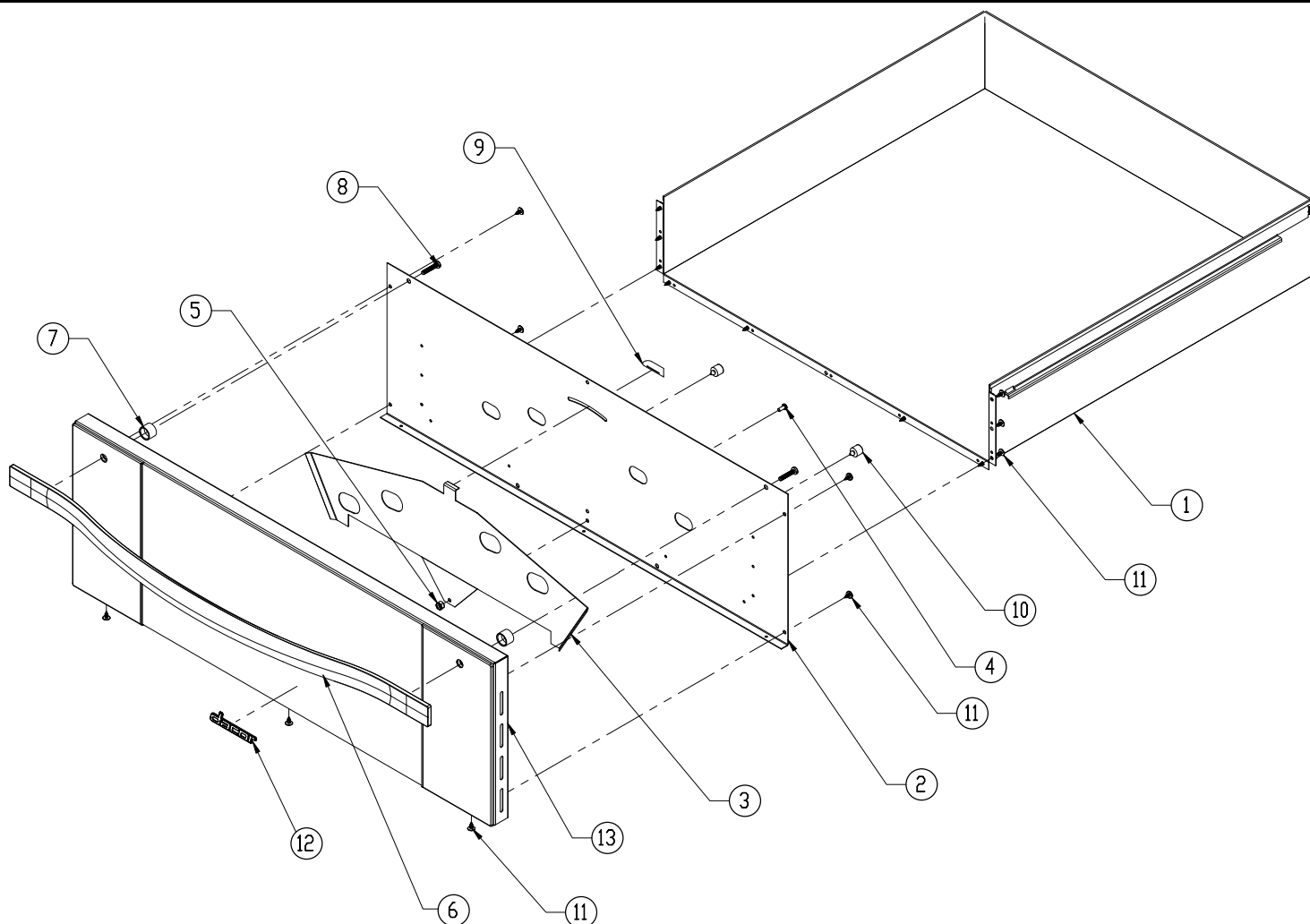
Ref #	Part #	Description
1	27204	Asy, Cabinet
2	72737	Slide Rail Set, LH/RH
3	83555	Washer, Fiber w/ Adh. 1-Side
4	83048	Nut, Hex Keps, #8-32

Front Frame Assembly



Ref #	Part # 27"	Part # 30"	Description
1	N/A	27142B	Asy, Front Frame, 30"
1	27216B	N/A	Asy, Front Frame, 27"
2	62786B	62786B	Bezel, Warming Ovens
3	82267B	82267B	Control Knob
4	72880	72880	Switch, Snorkel
5	62734	62734	Temp Controller
6	72889	72889	Timer
7	26681	26681	Gasket Retaining Trim
8	82280B	82280B	Gasket
9	83266	83266	Tubular Fastener

Drawer Assembly



Ref #	Part # 27"	Part # 30"	Description
1	701213*	701213*	Asy, Drawer Wrap, Service*
2	46138E	46141E	Drawer Front
3	36454	36454	Moist/Crisp Slide
4	83358	83358	Screw, Pan HD, #8-32 x 3/8"
5	83447	83447	Nut, Nylon, #10-24
6	72935	72937	Handle, Door
7	92126	92126	Door Spacer
8	83692	83692	Screw, Pan HD, #10-32 x 1"
9	82415B	82415B	Knob, Damper - Black
10	83578	83578	Rubber Bumper, Snap-In
11	83263	83263	Screw, Phil HD, #8 x 3/8"
12	72510CH	72510CH	Dacor Logo, 3"
13	701214-03****	701214-01**	Assy, Drawer Glass, Frame, MWH/S
13	701214-04^	701214-02***	Assy, Drawer Glass, Frame, MWV/S
13	701214-06^^^	701214-05^^	Assy, Drawer Glass, Frame, MW/B
*Order as Kit, 701213		**Order as Kit, 701214-01	
Order as Kit, 701214-02		*Order as Kit, 701214-03	
^Order as Kit, 701214-04		^^Order as Kit, 701214-05	
^^^Order as Kit, 701214-06		Click note for Details	